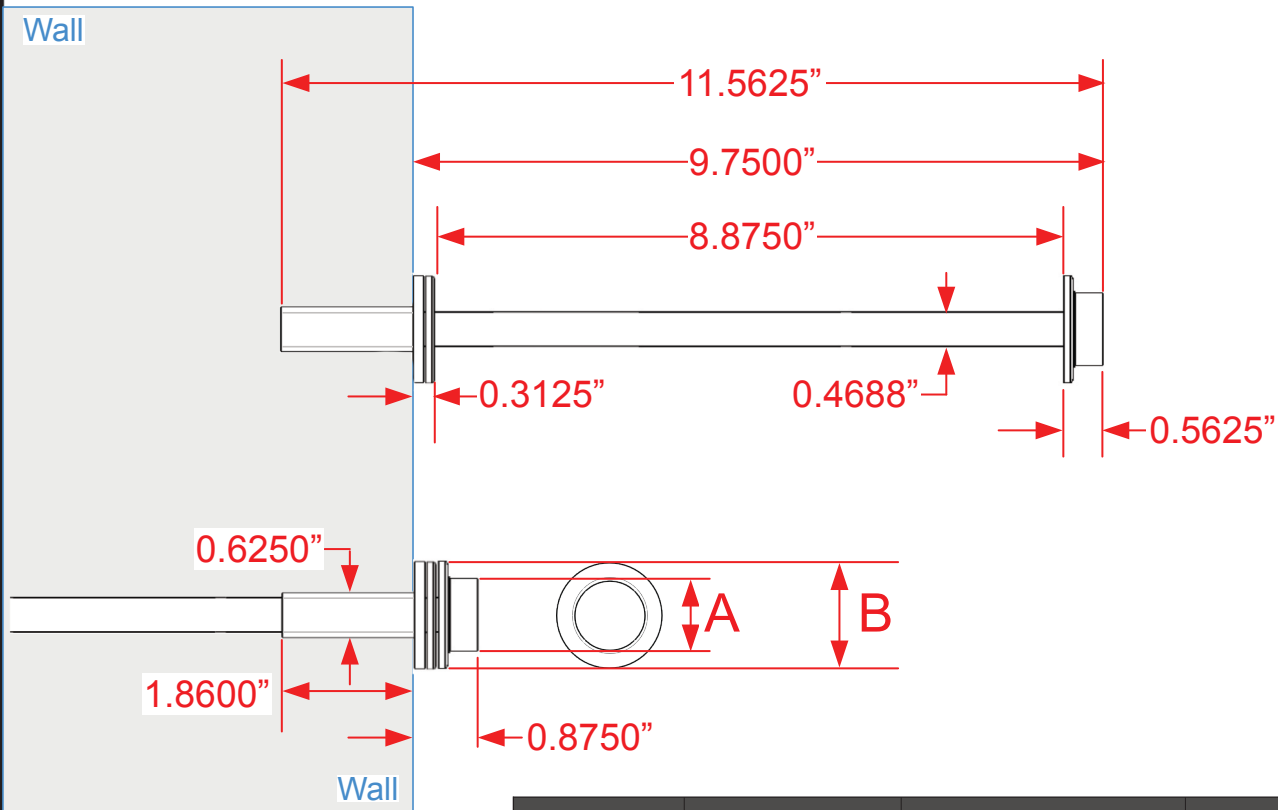
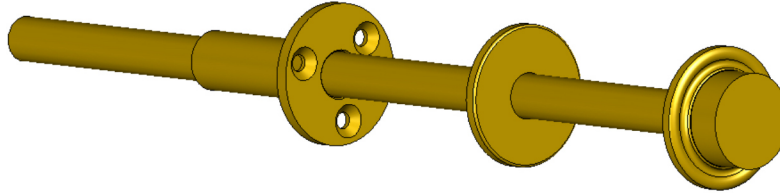


Series LER111 Concealed Garment Rod

Page 1 of 2

Finishes for Life
FINISH-FREE GUARANTEED



Part #	A Pull Knob Diameter	B Mounting Flange Width	Maximum Load
LER111	1.0000"	1.5000"	20 lbs
Custom Sizing Available			
See page 2 for installation instructions			

The TANNER'S CRAFT™
www.tannerscraft.com
 860.489.9233



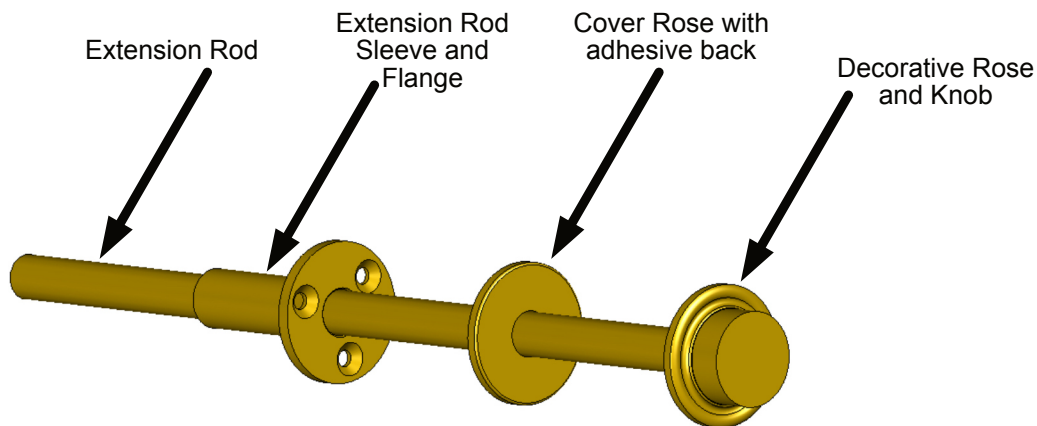
A Division of
 Colonial Bronze
 Manufacturing Fine
 Hardware Since 1927

Series LER111 Concealed Garment Rod

Page 2 of 2



Instructions for mounting The Tanner's Craft's LER110 garment extension rods for installation with wood block



Step 1:

Drill a 5/8" diameter hole for installation of the extension rod holder and rod.

Step 2:

Insert extension rod sleeve with rod into the wall and use a pencil to mark location of the three screws that will secure the extension rod holder to the wall.

Step 3:

Remove the extension rod sleeve from the wall and drill the three holes you marked. Reinsert the extension rod sleeve into the wall and screw into wall with the three #8 x 1" wood screws.

Step 4:

Remove backing from adhesive on the cover rose and press against face of rod holder to cover the three exposed wood screws.

The TANNER'S CRAFT™
www.tannerscraft.com
860.489.9233



A Division of
Colonial Bronze
Manufacturing Fine
Hardware Since 1927