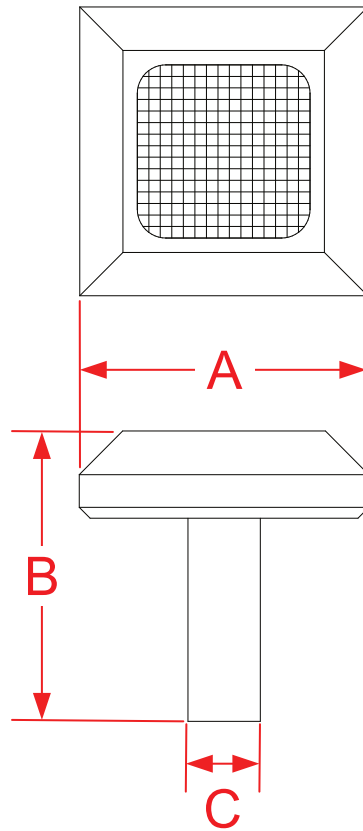
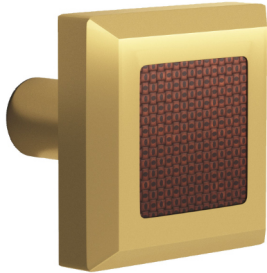


Series L126 and L127 Cabinet Knobs

Finishes for Life
TANNING-FREE GUARANTEED



	A	B	C
Part #	Diameter	Projection	Base
L126	1.2500"	1.1875"	0.3750"
L127	1.5000"	1.1875"	0.3750"
Custom Sizing Available			

The TANNER'S CRAFT™
www.tannerscraft.com
 860.489.9233



A Division of
 Colonial Bronze
 Manufacturing Fine
 Hardware Since 1927