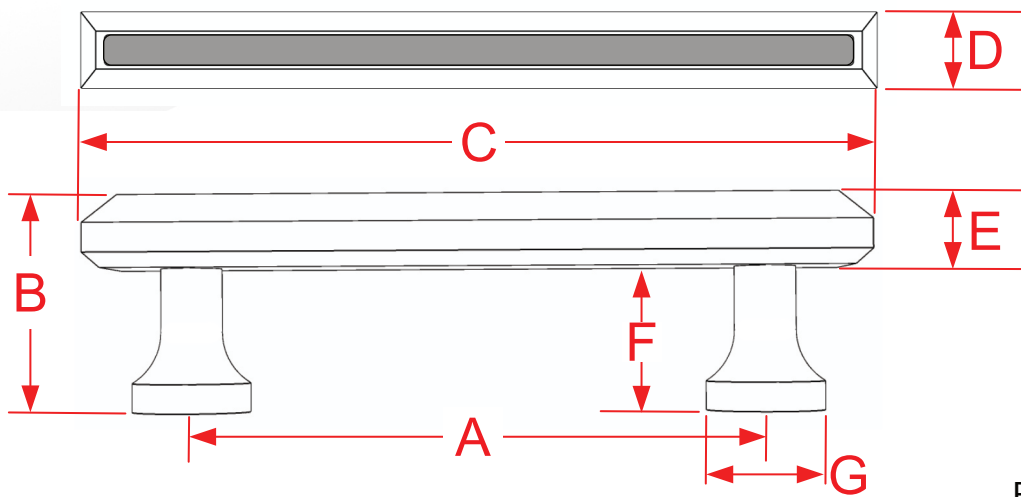
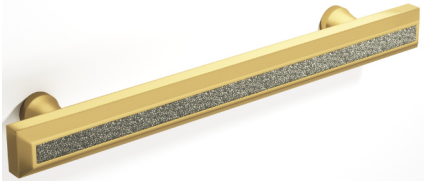


L272, L273 & L276 Series Cabinet, Appliance, Door and Shower Door Pulls

Finishes for Life
FINISH-FREE GUARANTEE



Page 1 of 2

Part #	A Center to Center	B Projection	C Overall Length	D Handle Width	E Handle Thickness	F Inside Gap	G Base Diameter
L272-4	4.0000"	1.1250"	5.0000"	0.7500"	0.3750"	0.7500"	0.6250"
L272-6	6.0000"	1.1250"	8.0000"	0.7500"	0.3750"	0.7500"	0.6250"
L272-8	8.0000"	1.1250"	10.0000"	0.7500"	0.3750"	0.7500"	0.6250"
L272-10	10.0000"	1.1250"	12.0000"	0.7500"	0.3750"	0.7500"	0.6250"
Custom Sizing Available up to 30" Overall Length					Supplied with 8-32 Screws		
L273-4	4.0000"	1.2500"	5.0000"	0.7500"	0.5000"	0.7500"	0.6250"
L273-6	6.0000"	1.2500"	8.0000"	0.7500"	0.5000"	0.7500"	0.6250"
L273-8	8.0000"	1.2500"	10.0000"	0.7500"	0.5000"	0.7500"	0.6250"
L273-10	10.0000"	1.2500"	12.0000"	0.7500"	0.5000"	0.7500"	0.6250"
Custom Sizing Available up to 30" Overall Length					Supplied with 8-32 Screws		

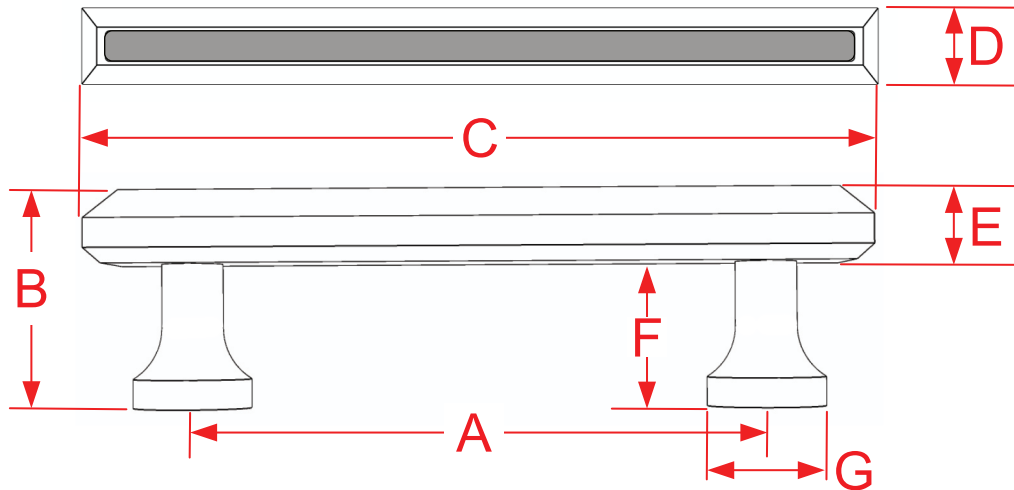
The TANNER'S CRAFT™
www.tannerscraft.com
 860.489.9233



The Tanner's Craft is a
 Division of
 Colonial Bronze
 Manufacturing Fine
 Hardware Since 1927

L272, L273 & L276 Series Cabinet, Appliance, Door and Shower Door Pulls

Finishes for Life
FINISH-FREE GUARANTEE



Page 2 of 2

Part #	A Center to Center	B Projection	C Overall Length	D Handle Width	E Handle Thickness	F Inside Gap	G Base Diameter
L276-8	8.0000"	1.7500"	10.0000"	1.2500"	0.5000"	1.2500"	0.7500"
L276-10	10.0000"	1.7500"	12.0000"	1.2500"	0.5000"	1.2500"	0.7500"
L276-12	12.0000"	1.7500"	14.0000"	1.2500"	0.5000"	1.2500"	0.7500"
L276-18	18.0000"	1.7500"	20.0000"	1.2500"	0.5000"	1.2500"	0.7500"
Custom Sizing Available up to 30" Overall Length					Supplied with 1/4-20 Screws		

The TANNER'S CRAFT™
www.tannerscraft.com
 860.489.9233



The Tanner's Craft is a
 Division of
 Colonial Bronze
 Manufacturing Fine
 Hardware Since 1927