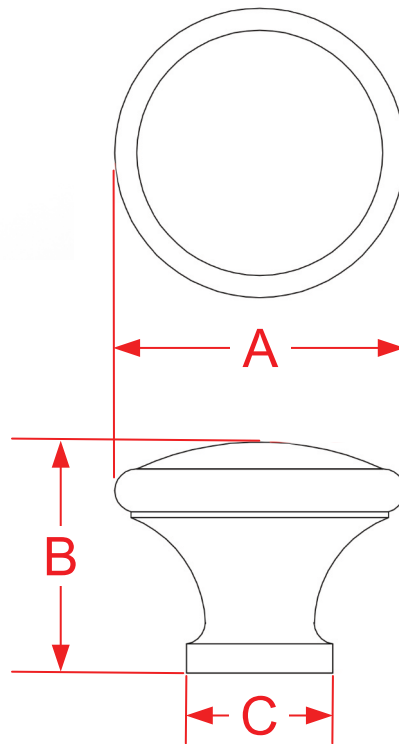


# Series L378 Cabinet Knob

Finishes for Life  
TANNING-FREE GUARANTEED



	A	B	C
Part #	Diameter	Projection	Base
L378	1.2500"	1.0000"	0.6250"
Custom Sizing Available			

The TANNER'S CRAFT™  
[www.tannerscraft.com](http://www.tannerscraft.com)  
 860.489.9233



A Division of  
 Colonial Bronze  
 Manufacturing Fine  
 Hardware Since 1927