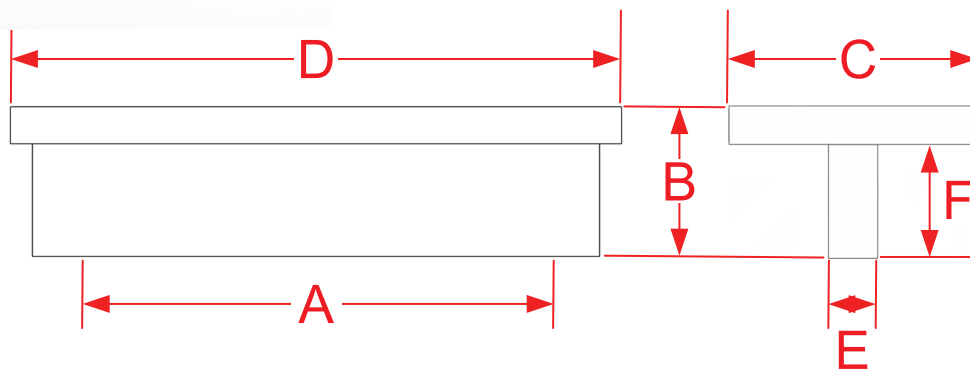
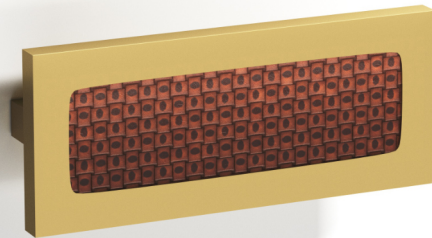


L460 Series Cabinet Knob and Cabinet Pulls

Finishes for Life
FINISH-FREE GUARANTEED



	A	B	C	D	E	F
Part #	Center to Center	Projection	Width	Overall	Base Width	Inside Gap
L460-2	2.0000"	0.7500"	1.2500"	3.0000"	0.2500"	0.5625"
L460-4	4.0000"	0.7500"	1.2500"	5.0000"	0.2500"	0.5625"
L460-5	5.0000"	0.7500"	1.2500"	6.0000"	0.2500"	0.5625"
L460-6	6.0000"	0.7500"	1.2500"	7.0000"	0.2500"	0.5625"
L460-8	8.0000"	0.7500"	1.2500"	9.0000"	0.2500"	0.5625"
Custom Sizing Available up to 30.0000" Overall Length				Supplied with 6-32 Screws		

The TANNER'S CRAFT™
www.tannerscraft.com
 860.489.9233



A Division of
 Colonial Bronze
 Manufacturing Fine
 Hardware Since 1927