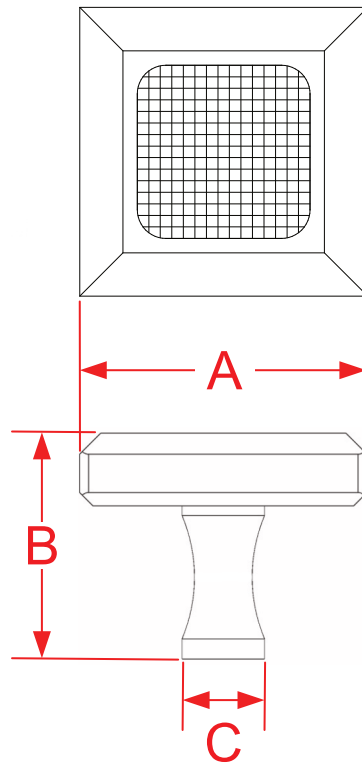
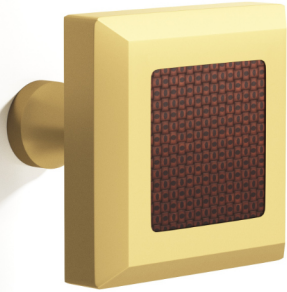


Series L526 and L527 Cabinet Knobs

Finishes for Life
FINISH-FREE GUARANTEED



	A	B	C
Part #	Diameter	Projection	Base
L526	1.2500"	1.1875"	0.4375"
L527	1.5000"	1.1875"	0.4375"
Custom Sizing Available			

The TANNER'S CRAFT™
www.tannerscraft.com
 860.489.9233



A Division of
 Colonial Bronze
 Manufacturing Fine
 Hardware Since 1927