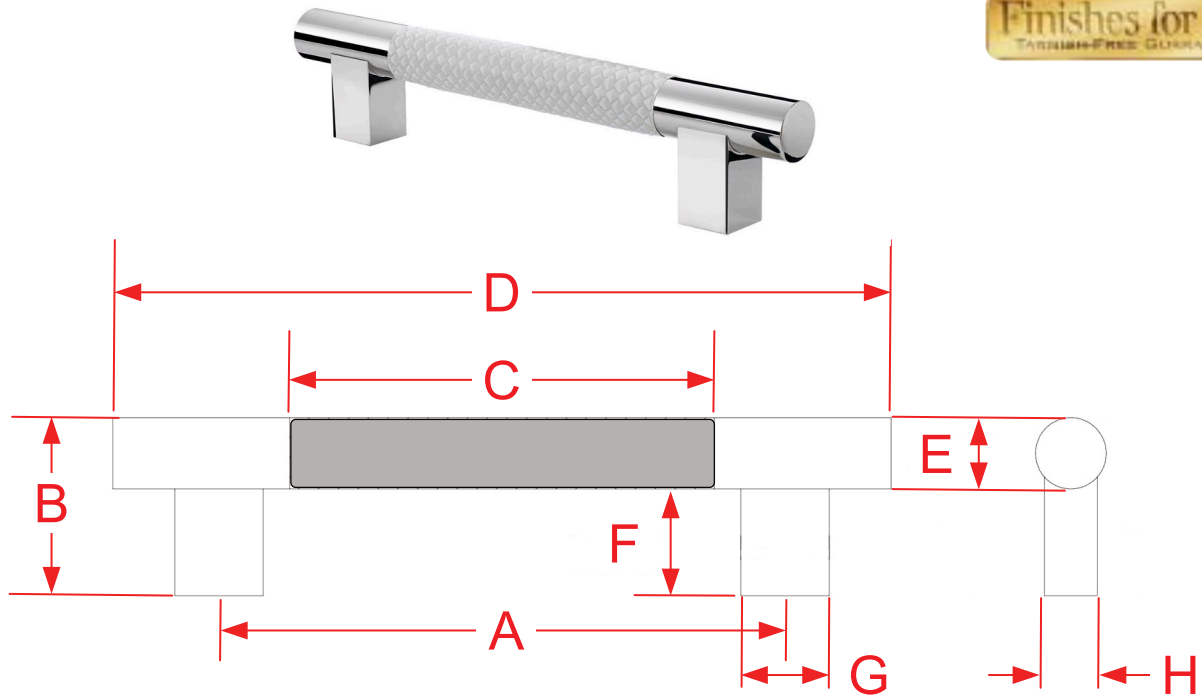


# L535, L536, L537 and L538 Series Cabinet, Appliance, Door and Shower Pulls

Finishes for Life  
TANNING-FREE GUARANTEED



Part #	A Center to Center	B Projection	C Leather Length	D Overall	E Diameter	F Inside Gap	G Base Width	H Base
L535-4	4.0000"	1.3750"	3.0000"	5.5000"	0.5000"	0.8750"	0.6250"	0.3750"
L535-5	5.0000"	1.3750"	4.0000"	6.5000"	0.5000"	0.8750"	0.6250"	0.3750"
L535-6	6.0000"	1.3750"	5.0000"	7.5000"	0.5000"	0.8750"	0.6250"	0.3750"
L535-8	8.0000"	1.3750"	7.0000"	9.5000"	0.5000"	0.8750"	0.6250"	0.3750"
Custom Sizing up to 25.5000" Overall Length				Supplied with 8-32 screws				
L536-6	6.0000"	1.6875"	4.5000"	8.0000"	0.6250"	1.0625"	0.7500"	0.5000"
L536-8	8.0000"	1.6875"	6.5000"	10.0000"	0.6250"	1.0625"	0.7500"	0.5000"
L536-10	10.0000"	1.6875"	8.5000"	12.0000"	0.6250"	1.0625"	0.7500"	0.5000"
L536-12	12.0000"	1.6875"	10.5000"	14.0000"	0.6250"	1.0625"	0.7500"	0.5000"
Custom Sizing up to 30.0000" Overall Length				Supplied with 8-32 screws			Page 1 of 2	

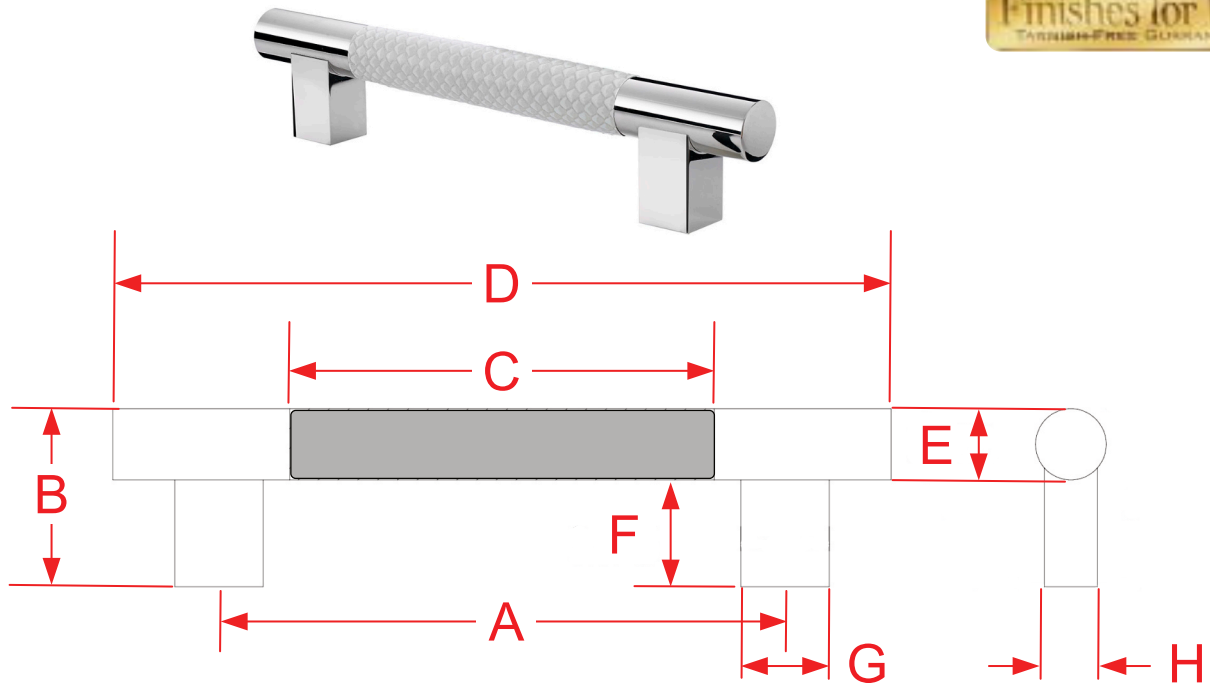
The TANNER'S CRAFT™  
[www.tannerscraft.com](http://www.tannerscraft.com)  
 860.489.9233



The Tanner's Craft is a Division of Colonial Bronze Manufacturing Fine Hardware Since 1927

# L535, L536, L537 and L538 Series Cabinet, Appliance, Door and Shower Pulls

Finishes for Life  
TANNING-FREE GUARANTEED



Part #	A Center to Center	B Projection	C Leather Length	D Overall	E Diameter	F Inside Gap	G Base Width	H Base
L537-6	6.0000"	2.0000"	4.5000"	8.0000"	0.7500"	1.2500"	1.0000"	0.6250"
L537-8	8.0000"	2.0000"	6.5000"	10.0000"	0.7500"	1.2500"	1.0000"	0.6350"
L537-10	10.0000"	2.0000"	8.5000"	12.0000"	0.7500"	1.2500"	1.0000"	0.6250"
L537-12	12.0000"	2.0000"	10.5000"	14.0000"	0.7500"	1.2500"	1.0000"	0.6250"
Custom Sizing up to 30.0000" Overall Length				Supplied with ¼-20 screws				
L538-8	8.0000"	2.6250"	6.0000"	11.0000"	1.0000"	1.6250"	1.0000"	0.7500"
L538-10	10.0000"	2.6250"	8.0000"	13.0000"	1.0000"	1.6250"	1.0000"	0.7500"
L538-12	12.0000"	2.6250"	10.0000"	15.0000"	1.0000"	1.6250"	1.0000"	0.7500"
L538-18	18.0000"	2.6250"	16.0000"	21.0000"	1.0000"	1.6250"	1.0000"	0.7500"
L538-24	24.0000"	2.6250"	22.0000"	27.0000"	1.0000"	1.6250"	1.0000"	0.7500"
Custom Sizing up to 30.0000" Overall Length				Supplied with ¼-20 screws			Page 2 of 2	

The TANNER'S CRAFT™  
[www.tannerscraft.com](http://www.tannerscraft.com)  
 860.489.9233



The Tanner's Craft is a  
 Division of  
 Colonial Bronze  
 Manufacturing Fine  
 Hardware Since 1927